



A necessity for handling any type of cotton bale.

APPLICATIONS

Cascade cotton bale clamps efficiently and economically handle any type of cotton bale. Cascade 4-Bale Clamps handle from one to four bales, and 5-Bale Clamps handle from two to five bales.

FEATURES

- Fast arm speed.
- Excellent driver visibility.
- Damage-free handling.
- Thin profile arms.
- Protected control valve.
- Protected arm bearings.
- Non-grease arm bearings.
- High net lift truck capacity.
- Center ribs allow for bale spinning.
- Built to last.

OPTIONS

- **Transporter Units**—Provide multiple bale handling capabilities.
- **Button Arms**—Provide secure grip without cutting or ripping bales.
- **Revolving Model**—360° continuous rotation with optional 180° stop group.
- **Quick Change Lower Hooks**—Clamps can be removed or installed in minutes without tools. (Quick Change hose couplings available separately.)
- **Flow Dividers**—Continually adjust hydraulic flow to equalize arm speed.
- **Pin-Type Mounting**—For use on trucks with pin-type carriages
- **Non-Standard Frame Widths, Arm Sizes and Opening Ranges**—Several sizes available for handling unusual size loads.



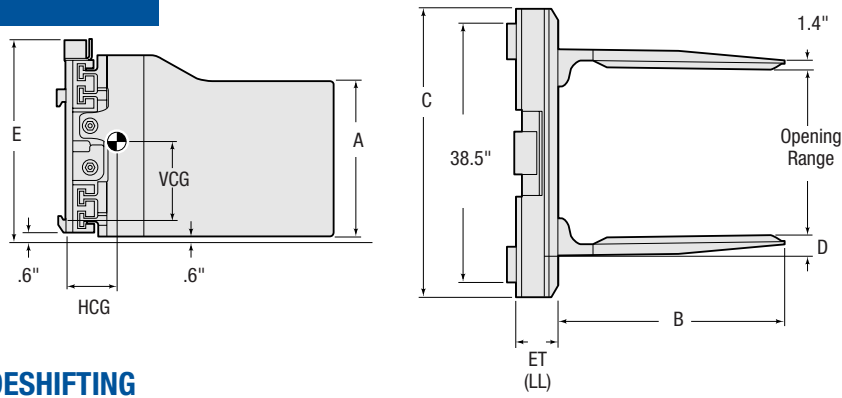
Optional Button Facing



Standard Ribs

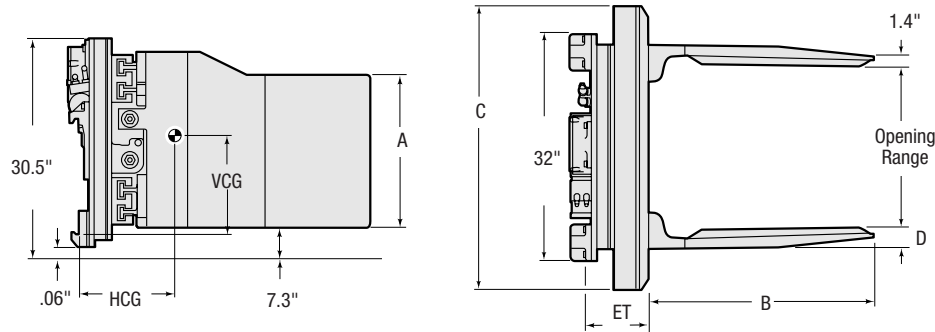
*For efficient,
economical bale
handling.*

40D COTTON BALE CLAMP



NON-SIDESHIFTING/SIDESHIFTING

Capacity @ 24" (600 mm) Load Center		Opening Range	Catalog Order No.	Mtg. Class	Arm Height	Arm Length	Weight	Effective Thickness	Horizontal Ctr. of Gravity	Vertical Ctr. of Gravity	Overall Width	Arm Thickness	Overall Height		
lbs	kg														
NON-SIDESHIFTING															
	ITL				A	B	lbs	kg	ET	HCG	VCG	C	D	E	
4,000	1,815	19.3"-91.8"	40D-BCB-55A	①②	II	18.0"	28"	1,285	583	5.6"	7.1"	10.1"	63"	2.7"	28.7"
4,000	1,815	37.6"-118.4"	40D-BCB-54A	①②	II	18.0"	28"	1,370	622	5.6"	6.7"	10.1"	68"	2.7"	28.7"
SIDESHIFTING															
4,000	1,815	19.3"-91.8"	40D-BCS-65A	①②	II	18.0"	28"	1,285	583	5.6"	7.1"	10.1"	63"	2.7"	28.7"
4,000	1,815	37.6"-118.4"	40D-BCS-64A	①②	II	18.0"	28"	1,370	622	5.6"	6.7"	10.1"	68"	2.7"	28.7"



REVOLVING

Capacity @ 24" (600 mm) Load Center		Opening Range	Catalog Order No.	Mtg. Class	Mtg. Angle	Arm Height	Arm Length	Weight	Effective Thickness	Horizontal Ctr. of Gravity	Vertical Ctr. of Gravity	Overall Width	Arm Thickness	Rotator Speed	Rotator Torque		
lbs	kg																
4,000	1,815	19.3"-91.8"	40D-BCR-75A	①②	II	0°	18.0"	28"	1,755	797	9.3"	8.6"	13.2"	63"	2.7"	5.2 RPM	65,000 In.- lbs
4,000	1,815	19.3"-91.8"	40D-BCR-75F	①②	II	4°	18.0"	28"	1,755	797	8.3"	7.7"	13.2"	63"	2.7"	@ 15 GPM	@ 2,000 PSI
4,000	1,815	19.3"-91.8"	40D-BCR-75B	①②	III	0°	18.0"	28"	1,790	813	11.0"	10.1"	13.2"	63"	2.7"	5.2 RPM	65,000 In.- lbs
4,000	1,815	19.3"-91.8"	40D-BCR-75G	①②	III	4°	18.0"	28"	1,790	813	9.8"	8.9"	13.2"	63"	2.7"	@ 15 GPM	@ 2,000 PSI

- ① Button facing available.
- ② Integral arms.
- ③ Vertical mount (0° mounting angle) is recommended for lift heights exceeding 180".

Capacity In Bales—Cotton

Model	Gin Flat	Gin & Univ. Std.	Compress Univ. & Compress Std.	Compress Hi-D
91" Opening	3	4	3	4
118" Opening	4	5	4	4

INSTALLATION KIT

Model	Catalog Order No.
Sideshifting	659249
Non-Sideshifting	659245
Revolving	672442