

An easy, ergonomic way to change relief settings.

APPLICATIONS

Multi-setting Relief Valves are popular options for controlling hydraulic clamping pressure in roll clamp and carton clamp applications. This three pressure setting system is used for controlling clamp force in roll clamp and carton clamp applications when multiple settings are required to prevent overclamping.

The electronic pressure regulator system offers a solution to the ergonomics of switch location.

BENEFITS

- The valve bank can be located closest to the hydraulic components of the lift truck, allowing ease of installation.
- Maximum operator convenience! The rotary switch can be located near the driver in a convenient location or place the sequential loop button in any location to allow the driver to sequence through 3 pressure settings. This will allow the driver to stay in the drive position when changing a pressure setting rather than bending forward to switch the pressure with the mechanical handle. No aggravation to the back, which will encourage the driver to use the relief system.
- Driver will always know which relief setting is active with the in-cab light box.
- Optional light tower or light bar can be mounted in best location for supervisor observation.

FEATURES

- Three adjustable relief settings plus truck relief. System can be configured during installation to exclude truck relief.
- Ergonomically located control switch.
- A small in-cab light bar to show the driver which relief setting is active. Lights are bright and visible from 40 feet.
- Optional light tower or light bar that's visible from a long range showing which relief setting is active.
- All necessary electrical wiring and circuit protection fuse.

OPTIONS

The Electronic Pressure Regulator System is available with the following packages in either 12 volt or 24-48 volt:

- Without Light Tower or Light Bar
- With Light Tower only
- With Horizontal Light Bar only
- With Rotary or Sequential Loop push button switching system

*Ergonomic
solution for
ease of
driver operation.*

INCLUDED WITH THE ELECTRONIC PRESSURE REGULATOR SYSTEM



Valve Assembly

Solenoid-operated valve assembly with three independent and user definable pressure settings.



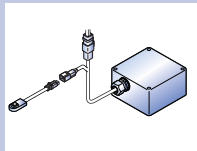
Wiring and Circuit Protection Fuse

All necessary electrical wiring and circuit protection fuse.



Control Switches/Options

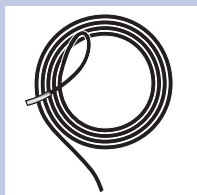
Rotary Control Switch to select pressure setting. Sequential loop with push button switching allows the driver to push a button mounted on or near the auxiliary handle. Each time the button is pushed the next pressure setting is activated. Keep pressing the button and the system loops back to the original setting.



In-Cab Light Bar

Small in-cab light bar to show the driver which setting is active

RECOMMENDED ACCESSORIES AND OPTIONS



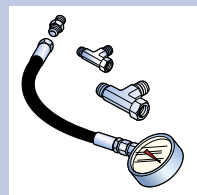
Optional Light Tower Cable

Extension for use where the light will be located in a position that will require more than 90" of cable. Extension adds 72" length. Part No. 6059146



Optional Light Tower or Bar

Pressure Indicator Lights, visible from a long range, correspond to the pressure setting that is active.



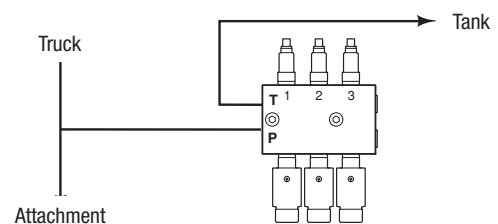
Pressure Gauge Kit

High quality, 0-5,000 psi, glycerin filled gauge plus adapter fittings. This kit is recommended for setting pressure of each relief cartridge. Kit Part No. 671212
Pressure Gauge only, Part No. 664158

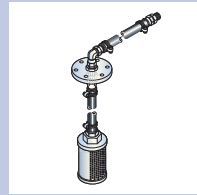
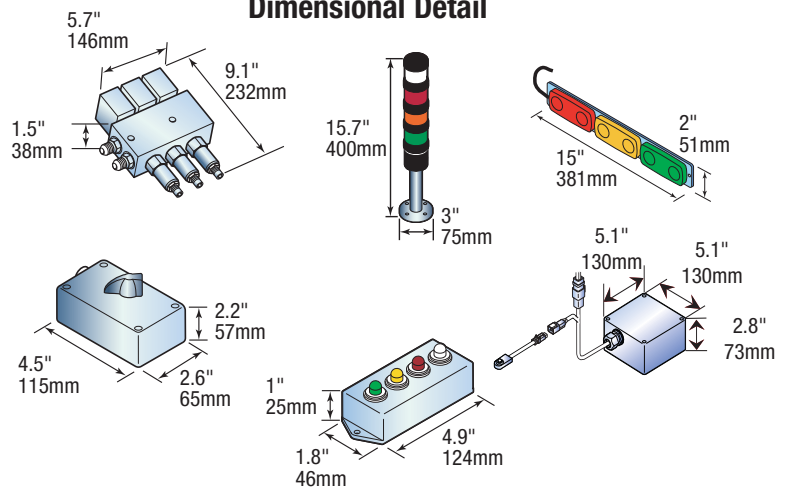


Low Pressure Tank Line Kit

Includes hose and hardware necessary to install a hydraulic line directly into an existing low pressure tank line hose.



Dimensional Detail



Universal Low Pressure Tank Line Kit

Includes 1/2" hoses, fittings and diffuser to install low pressure tank line kit directly to the top of the hydraulic tank cover. This does not require cutting into the hydraulic return line, and provides excellent efficiency.

The use of low pressure tank line kits is required for optimal performance and system accuracy.