



## **A cost effective solution for positioning the platens on a Mark 55 Push/Pull.**

### **APPLICATIONS**

Provides a simple, cost effective means to position the platens on a Mark 55 Push/Pull. Permits the use of a single auxiliary valve to control an additional hydraulic function. Eliminates the need for hydraulic hoses or electric cables and offers a minimum of installation time.

### **FEATURES**

- LED operation and battery life indicator
- Matched transmitter/receiver with synchronization capability
- Rugged encapsulated circuit board enclosure
- Auto sleep mode for extended battery life
- Rechargeable battery

*Eliminate the need for hydraulic hoses or electric cables.*



# RADIO FREQUENCY HYDRAULIC CONTROL FOR MARK 55 PUSH/PULL

Part	Catalog Order No.
Radio Frequency Hydraulic Control includes:	6060521
<ul style="list-style-type: none"> <li>• transmitter—12 to 24 volt input*</li> <li>• receiver</li> <li>• 2 solenoid valves</li> <li>• battery and extra battery</li> <li>• battery charger</li> </ul>	

**\* IMPORTANT: This unit is equipped with 12 volt to 24 volt input transmitter to be installed on lift truck.** For truck transmitter input voltage from 25 volts to 48 volts, order voltage converter part number 217932.



transmitter



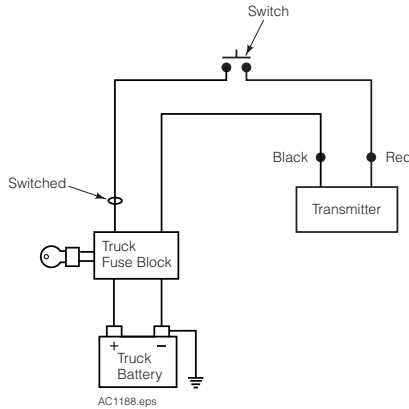
receiver and battery



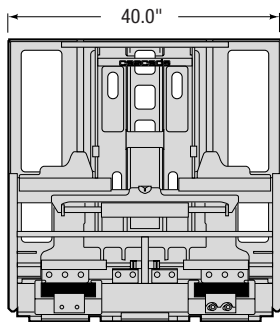
solenoid



battery charger with battery

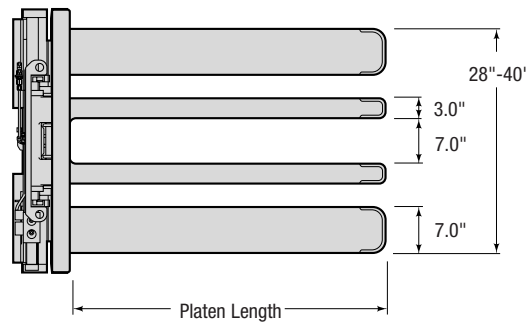


## Mark 55 Push/Pull

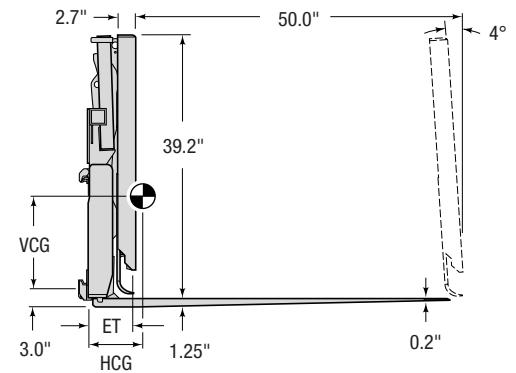


40.0"

Minimum carriage width sideshifting - 36"



Platen Length



Capacity @ 24" (600 mm) Load Center		Type	Inner Platen Size	Outer Platen Size	Catalog Order No.	Mtg. Class/Lower Hook Type	Outside Platen Spacing	Weight		Effective Thickness	Horizontal Ctr. of Gravity	Vertical Ctr. of Gravity
lbs	kg							lbs	kg			
3,500	1,590	Hydr. Adjustable Platens, Sideshifting	3"x48"	7"x48"	35E-PHS-A011	II Bolt-On	28"-40"	1,145	520	7.6"	6.9"	10.2"
4,500	2,045							1,150	522			

► This unit is solenoid equipped for the platen adjustment function. A two function hydraulic supply is required. The sideshift and push/pull functions are actuated directly with the auxiliary valves. The platen adjustment function is actuated by depressing the solenoid button and then actuating the push/pull valve. The control knob with a push button is included. Requires a four-way auxiliary valve on the truck, and four hose installation kit.

**IMPORTANT: This Radio Frequency Hydraulic Control unit is equipped with 12 volt to 24 volt input transmitter to be installed on lift truck.** For truck transmitter input voltage from 25 volts to 48 volts, order voltage converter part number 217932.

## HYDRAULIC FLOW AND PRESSURE

Minimum Flow	Recommended Flow	Maximum Flow	Maximum Pressure
4 GPM	7 GPM	10 GPM	2,300 PSI / 159 bar

## HYDRAULIC FUNCTIONS

Hydraulic Functions	Truck Auxiliary Valves Required
3	2