



Add rotating capability to your forklift.

For load
inverting and
dumping
versatility.

APPLICATIONS

G-Series Rotators give your driver the ability to quickly dump or invert a load, and then immediately return the forks to the pick-up position in one continuous motion. Cascade rotators are widely used in food processing, automotive manufacturing, chemical processing, recycling operations, smelting and casting operations, and general manufacturing—anywhere it is necessary to dump bins or tote boxes.

FEATURES

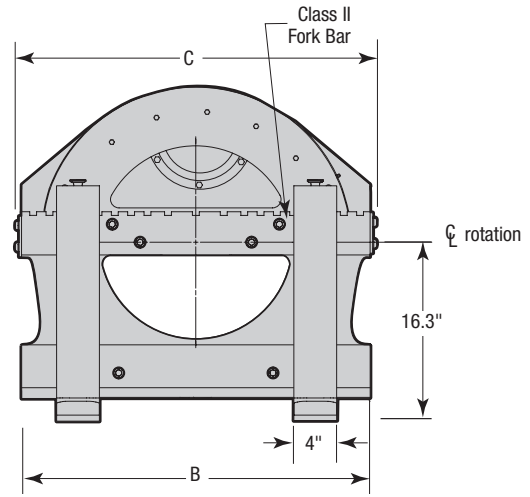
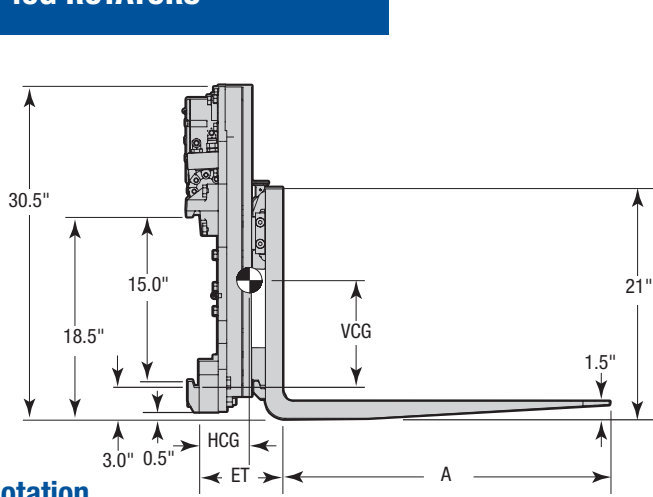
- **Rugged Construction**—Cascade's gear drive box and ring gear design are proven to provide superior durability.
- **Visibility**—Large visibility window gives the driver an excellent view of the fork tips. Center seal locks out contamination.
- **Rotational Torque**—Good torque specifications ensure smooth, positive rotation of the load.
- **Fork Bar Width**—Many fork bar widths are available to suit a wide variety of applications.
- **Forks**—Rotators may be ordered with forks or with fork bars only.
- **Dual Class II, III Mounting Holes on 55G**—for easy conversion of mounting hooks when changing truck sizes.

OPTIONS

- **180° Rotation Stop Group**—Used when stopping rotation at precisely 180° is desirable.
- **Special Fork Sizes and Configurations.**
- **Quick-Change Lower Mounting Hooks**—Allow the rotator to be removed or installed in a matter of minutes without tools. (Quick-change hydraulic couplers available separately)
- **Hydraulic Bin Retainer**—Custom designed to clamp on top of bin to hold bin in place while rotating. Typically used when bin does not have fork pockets.
- **Mechanical Bin Retainer**—designed to retain lightweight bins.
- **Side Stabilizers**—to help retain the load during rotation.



45G ROTATORS



360° Rotation

Capacity @ 24" (600 mm) Load Center		Fork Length	Fork Bar Width (Fork Spread)	Catalog Order No.	Mtg. Class	Mtg. Angle	Min. Truck Carriage Width	Weight	Effective Thickness	Horizontal Ctr. of Gravity	Vertical Ctr. of Gravity	Overall Width
lbs	kg	A	B				lbs	kg	ET	HCG	VCG	C
①	①	w/o Forks	32"	45G-RRB-10A	II	0°	32"	545 247	6.1"	3.0"	12.3"	33"
①	①	w/o Forks	37"	45G-RRB-20A	II	0°	32"	557 253	6.1"	3.2"	12.2"	38"
4,500	2,045	30"	32"	45G-RRB-11A	II	0°	32"	702 318	7.6"	5.2"	10.3"	33"
4,500	2,045	30"	37"	45G-RRB-21A	II	0°	32"	714 324	7.6"	5.2"	10.2"	38"
4,500	2,045	36"	32"	45G-RRB-12A	II	0°	32"	723 328	7.6"	6.0"	9.9"	33"
4,500	2,045	36"	37"	45G-RRB-22A	II	0°	32"	735 333	7.6"	6.0"	9.9"	38"
4,500	2,045	42"	32"	45G-RRB-13A	II	0°	32"	743 337	7.6"	6.9"	9.6"	33"
4,500	2,045	42"	37"	45G-RRB-23A	II	0°	32"	755 342	7.6"	6.9"	9.5"	38"
4,500	2,045	48"	32"	45G-RRB-14A	II	0°	32"	765 347	7.6"	7.9"	9.3"	33"
4,500	2,045	48"	37"	45G-RRB-24A	II	0°	32"	777 352	7.6"	7.9"	9.3"	38"

① See Capacity Chart for capacities with various fork sizes.

INSTALLATION KIT

Catalog Order No.
659245

HYDRAULIC FUNCTIONS

Hydraulic Functions	Truck Aux. Valves Required
1	1

HYDRAULIC FLOW & PRESSURE

Minimum Flow	Recommended Flow	Maximum Flow	Maximum Pressure
5 GPM	10 GPM	15 GPM	2,300 PSI/160 bar

ROTATOR SPECIFICATIONS

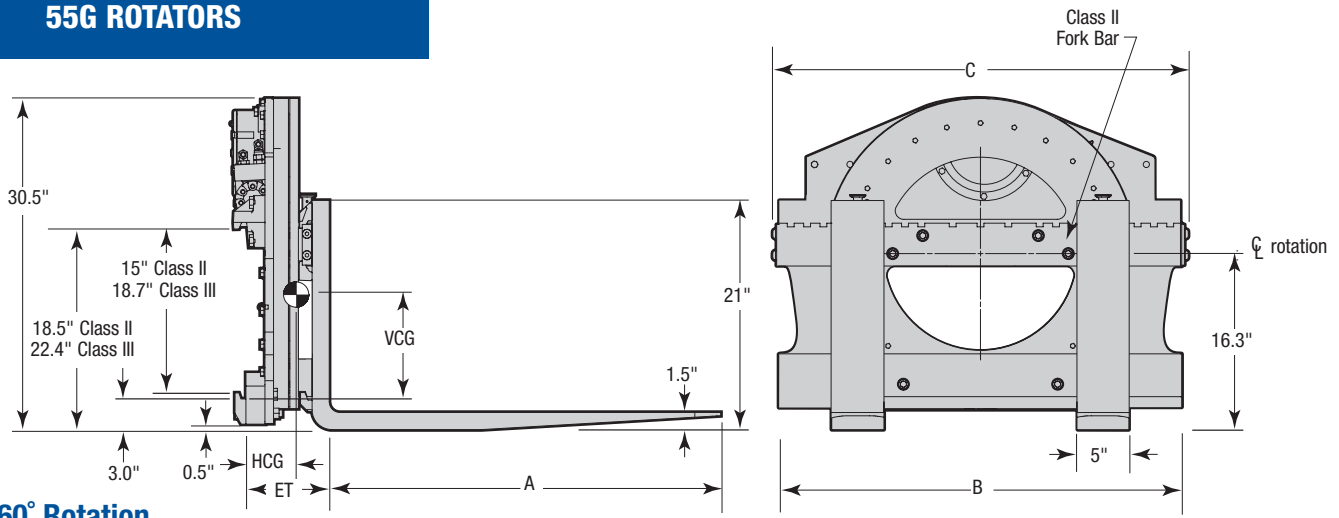
Model	Rotator Speed	Rotator Torque
45G	7.0 RPM @ 15 GPM	63,000 Inch-Lbs. @ 2,300 PSI/160 bar

► Optional motors providing increased torque are available. Reduced rotation speed will result.

ROTATOR CAPACITY CHART

Model	Fork Class	Fork Size (W x T)							
		4" x 1.25"	100 x 35 mm	4" x 1.5"	100 x 40 mm	5" x 1.5"	122 x 40 mm	5" x 1.75"	122 x 45 mm
45G	II	3,150 lbs.	1,430 kg	4,500 lbs.	2,040 kg	4,500 lbs.	2,050 kg	-	-
55G	II	3,150 lbs.	1,430 kg	4,700 lbs.	2,130 kg	5,000 lbs.	2,270 kg	5,500 lbs.	2,500 kg
65G	III	-	-	-	-	5,000 lbs.	2,270 kg	6,500 lbs.	3,000 kg

55G ROTATORS



360° Rotation

Capacity @ 24" (600 mm) Load Center		Fork Length	Fork Bar Width (Fork Spread)	Catalog Order No.	Mtg. Class	Mtg. Angle	Min. Truck Carriage Width	Weight	Effective Thickness	Horizontal Ctr. of Gravity	Vertical Ctr. of Gravity	Overall Width
lbs	kg	A	B				lbs	kg	ET	HCG	VCG	C
①	①	w/o Forks	37"	55G-RRB-10A	II	0°	32"	572 259	6.1"	3.1"	12.1"	38"
①	①	w/o Forks	37"	55G-RRB-10B	III	0°	32"	595 270	7.3"	4.2"	12.1"	38"
①	①	w/o Forks	42"	55G-RRB-20A	II	0°	32"	584 265	6.1"	3.2"	12.0"	43"
①	①	w/o Forks	42"	55G-RRB-20B	III	0°	32"	607 275	7.3"	4.2"	12.0"	43"
①	①	w/o Forks	45"	55G-RRB-30A	II	0°	32"	624 283	6.3"	3.3"	12.0"	46"
①	①	w/o Forks	45"	55G-RRB-30B	III	0°	32"	648 294	7.5"	4.4"	11.9"	46"
5,000	2,270	36"	37"	55G-RRB-12A	II	0°	32"	788 357	7.6"	6.4"	9.6"	38"
5,000	2,270	36"	37"	55G-RRB-12B	III	0°	32"	811 368	8.8"	7.3"	9.6"	38"
5,000	2,270	36"	42"	55G-RRB-22A	II	0°	32"	800 363	7.6"	6.3"	9.5"	43"
5,000	2,270	36"	42"	55G-RRB-22B	III	0°	32"	823 373	8.8"	7.3"	9.6"	43"
5,000	2,270	36"	45"	55G-RRB-32A	II	0°	32"	841 381	7.8"	6.3"	9.6"	46"
5,000	2,270	36"	45"	55G-RRB-32B	III	0°	32"	865 392	9.0"	7.3"	9.6"	46"
5,000	2,270	42"	37"	55G-RRB-13A	II	0°	32"	814 369	7.6"	7.3"	9.2"	38"
5,000	2,270	42"	37"	55G-RRB-13B	III	0°	32"	837 380	8.8"	8.3"	9.3"	38"
5,000	2,270	42"	42"	55G-RRB-23A	II	0°	32"	826 375	7.6"	7.3"	9.2"	43"
5,000	2,270	42"	42"	55G-RRB-23B	III	0°	32"	849 385	8.8"	8.3"	9.2"	43"
5,000	2,270	42"	45"	55G-RRB-33A	II	0°	32"	867 393	7.8"	7.3"	9.3"	46"
5,000	2,270	42"	45"	55G-RRB-33B	III	0°	32"	891 404	9.0"	8.3"	9.3"	46"
5,000	2,270	48"	37"	55G-RRB-14A	II	0°	32"	839 381	7.6"	8.4"	8.9"	38"
5,000	2,270	48"	37"	55G-RRB-14B	III	0°	32"	863 391	8.8"	9.4"	8.9"	38"
5,000	2,270	48"	42"	55G-RRB-24A	II	0°	32"	851 386	7.6"	8.4"	8.8"	43"
5,000	2,270	48"	42"	55G-RRB-24B	III	0°	32"	875 397	8.8"	9.3"	8.9"	43"
5,000	2,270	48"	45"	55G-RRB-34A	II	0°	32"	893 405	7.8"	8.3"	8.9"	46"
5,000	2,270	48"	45"	55G-RRB-34B	III	0°	32"	916 415	9.0"	9.3"	9.0"	46"
5,000	2,270	54"	37"	55G-RRB-15A	II	0°	32"	865 392	7.6"	9.7"	8.5"	38"
5,000	2,270	54"	37"	55G-RRB-15B	III	0°	32"	889 403	8.8"	10.6"	8.6"	38"
5,000	2,270	54"	42"	55G-RRB-25A	II	0°	32"	877 398	7.6"	9.6"	8.5"	43"
5,000	2,270	54"	42"	55G-RRB-25B	III	0°	32"	901 409	8.8"	10.5"	8.6"	43"
5,000	2,270	54"	45"	55G-RRB-35A	II	0°	32"	919 417	7.8"	9.5"	8.6"	46"
5,000	2,270	54"	45"	55G-RRB-35B	III	0°	32"	942 427	9.0"	10.4"	8.7"	46"

① See Capacity Chart on opposite page for capacities with various fork sizes.

INSTALLATION KIT

Catalog Order No.
659245

HYDRAULIC FUNCTIONS

Hydraulic Functions	Truck Aux. Valves Required
1	1

HYDRAULIC FLOW & PRESSURE

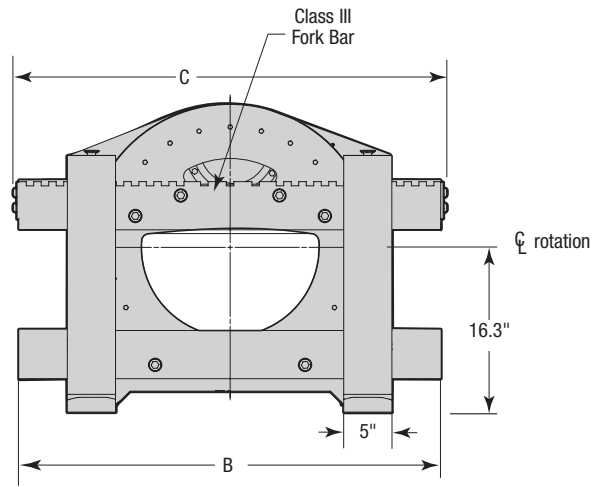
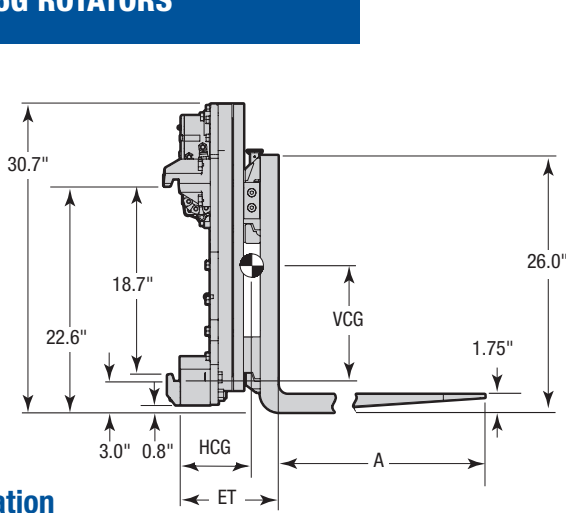
Minimum Flow	Recommended Flow	Maximum Flow	Maximum Pressure
5 GPM	10 GPM	15 GPM	2,300 PSI/159 bar

ROTATOR SPECIFICATIONS

Model	Rotator Speed	Rotator Torque
55G	7.0 RPM @ 15 GPM	63,000 Inch-Lbs. @ 2,300 PSI

► Optional motors providing increased torque are available. Reduced speed will result.

65G ROTATORS



360° Rotation

Capacity @ 24" (600 mm) Load Center		Fork Length	Fork Bar Width (Fork Spread)	Catalog Order No.	Mtg. Class	Mtg. Angle	Min. Truck Carriage Width	Weight		Effective Thickness	Horizontal Ctr. of Gravity	Vertical Ctr. of Gravity	Overall Width
lbs	kg	A	B					lbs	kg	ET	HCG	VCG	C
①	①	w/o Forks	42"	65G-RRB-10B	III	0°	32"	723	328	7.9"	4.8"	12.0"	43"
①	①	w/o Forks	48"	65G-RRB-20B	III	0°	32"	747	339	7.9"	4.9"	12.0"	49"
6,500	3,000	42"	42"	65G-RRB-13B	III	0°	32"	1,019	462	9.7"	8.7"	9.7"	43"
6,500	3,000	42"	48"	65G-RRB-23B	III	0°	32"	1,043	473	9.7"	8.6"	9.7"	49"
6,500	3,000	48"	42"	65G-RRB-14B	III	0°	32"	1,049	476	9.7"	9.7"	9.3"	43"
6,500	3,000	48"	48"	65G-RRB-24B	III	0°	32"	1,073	487	9.7"	9.6"	9.3"	49"
6,500	3,000	54"	42"	65G-RRB-15B	III	0°	32"	1,077	488	9.7"	10.8"	9.0"	43"
6,500	3,000	54"	48"	65G-RRB-25B	III	0°	32"	1,101	499	9.7"	10.7"	9.0"	49"

① See Capacity Chart on 45G page for capacities with various fork sizes.

INSTALLATION KIT

Catalog Order No.
659245

HYDRAULIC FLOW & PRESSURE

Minimum Flow	Recommended Flow	Maximum Flow	Maximum Pressure
5 GPM	10 GPM	15 GPM	2,300 PSI/160 bar

HYDRAULIC FUNCTIONS

Hydraulic Functions	Truck Aux. Valves Required
1	1

ROTATOR SPECIFICATIONS

Model	Rotator Speed	Rotator Torque
65G	5.2 RPM @ 15 GPM	80,000 Inch-Lbs. @ 2,300 PSI/160 bar

► Optional motors providing faster rotation are available. Reduced torque will result.

ROTATOR OPTIONS

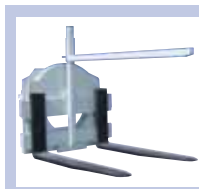


Fork Restraints to limit fork movement.



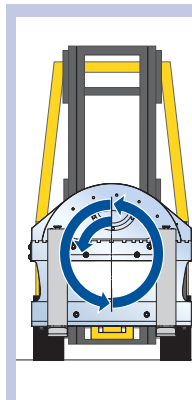
Hydraulic Bin Retainer

Custom designed to clamp on top of bin to hold bin in place while rotating. Typically used when bin does not have fork pockets.



Mechanical Bin Retainer

Class II, designed to retain lightweight bins.



Electronic Rotational Control

Provides 90° and 180° stops during 360° rotation, which automatically stops load at each quadrant of rotation. (Factory Installed)