



# Move three times the product with one versatile solution.

## APPLICATIONS

The Triple Pallet Handler reduces the number of trips that are needed to load a truck by a third. Allowing you to move more loads faster, minimize damage and stay competitive. Also helping your organization stay green by the realized energy savings. Cascade's Triple Pallet Handler is designed for any application using pallets or containers to transport product. Spreading the forks hydraulically allows handling of 2 or 3 pallets side by side. Sideshifting provides added flexibility for aligning forks or pallets in tight areas.

## OPTIONS

- Various load backrest configuration heights, fork lengths and sections
- Various fork set spreads and opening ranges
- Quick-disconnect lower hooks
- Drop shank forks—forks are lowered relative to the attachment frame
- Non-Sideshifting models available

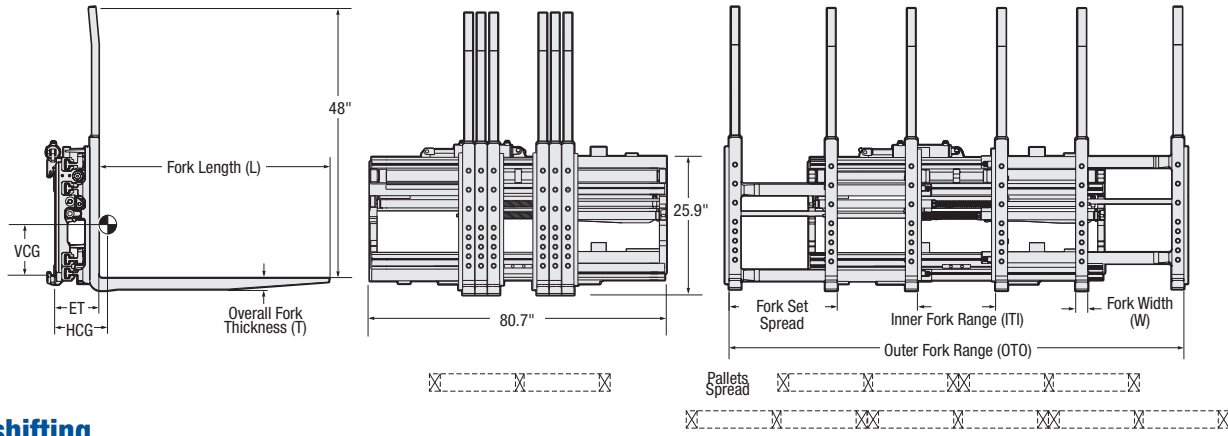
## FEATURES

- Superior visibility through and over the frame for damage free handling at all stacking heights
- All steel frame for increased overall durability, eliminating flexing
- Easy access cylinders for quick servicing
- Bolt-on Interchangeable forks for low service cost
- Full-length, fully enclosed wrap around UHMW plastic bearings provide maximum strength and full bearing support, greatly reducing wear on bearing surface
- Inner forks mounted on a chrome pin for greater inner fork stability



*Add efficiency  
by handling 3  
pallets without  
giving up the  
ability to easily  
handle one.*

# SINGLE-DOUBLE-TRIPLE PALLET HANDLER



## Sideshifting

Capacity @ 24" (600 mm) Load Center		Catalog Order No.	Mounting Class	Min. Truck Carriage Width	Weight		Effective Thickness ET	Horizontal Ctr. Of Gravity HCG	Vertical Center of Gravity VCG	Inner Fork Range ITI	Outer Fork Range OTO	Avg. Pallet Spread	Fork Set Spread	Fork Size L x W x T
lbs	kg				lbs	kg								
<b>36" x 36" Beverage Pallets</b>														
5,500	2,500	<b>25G-FTS-B005</b>	III	38.6"	1,560	710	8.6"	7.0"	13.3"	11.0"-19.3"	26.0"-117.7"	20.0"	25.2"	36.0" x 2.4" x 1.8"
6,500	3,000	<b>30G-FTS-B005</b>	III	38.6"	1,605	730	8.8"	7.2"	13.3"	11.0"-19.3"	26.0"-117.7"	20.0"	25.2"	36.0" x 2.4" x 2.0"
<b>48" x 40" GMA Pallets</b>														
5,500	2,500	<b>25G-FTS-B009</b>	III	38.6"	1,605	730	8.6"	7.9"	13.1"	11.0"-20.5"	26.0"-119.7"	19.0"	24.0"	42.0" x 2.4" x 1.8"
6,500	3,000	<b>30G-FTS-B009</b>	III	38.6"	1,650	750	8.8"	8.2"	12.9"	11.0"-20.5"	26.0"-119.7"	19.0"	24.0"	42.0" x 2.4" x 2.0"

- ▶ Other fork lengths available.
- ▶ FTS unit limited to 60" forklift maximum, for longer forks contact Cascade.
- ▶ 8" (200 mm) total sideshift.
- ▶ PLASTIC PALLET MAY REQUIRE MODIFIED FORK DIMENSIONS.
- ▶ The outer fork tines are .2" higher than the inner fork tines.
- ▶ Right hand termination standard, left hand termination available at no charge.

## SINGLE DOUBLE CONVERSION KIT

Model	Conversion	Catalog Order No.
25G	Class III to II	<b>6072574</b>

## HYDRAULIC FUNCTIONS

Hydraulic Functions	Truck Auxiliary Valves Required
2	2

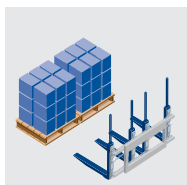
## INSTALLATION KIT

Model	Catalog Order No.
Class III	<b>6072234</b>

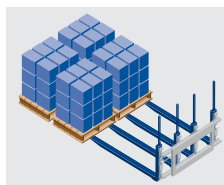
## HYDRAULIC FLOW & PRESSURE

Maximum Pressure psi/bar	Min-Rec-Max Function 1 gpm	Min-Rec-Max Function 2 gpm
2,900/200	1 — 2 — 3	4 — 7 — 7

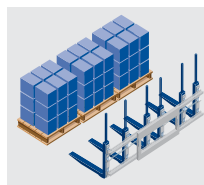
## OTHER MODELS



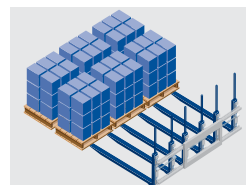
Single-Double



Single-Double Long Forks



Single-Double-Triple



Single-Double-Triple Long Forks

Cascade Corporation • PO Box 20187 • Portland, OR 97294-0187 • USA • 800 CASCADE (227.2233) • Tel 503.669.6257 • Fax 800.693.3768 • Fax 503.669.6367  
 Cascade Canada Ltd. • 5570 Timberlea Blvd. • Mississauga, Ontario L4W 4M6 • Canada • 800.380.2272 • Tel 905.629.7777 • Fax 905.629.7785