



## Stand-on Pallet Truck Capacity 2000 kg T 20 SF

SERIES 144

### Safety

The Linde Stand-on Pallet Truck T20SF is equipped with 3 independent braking systems. A "hill start" feature prevents the truck from rolling back on gradients. Travel speed is automatically reduced when cornering. Due to its compact chassis, the fork tips are easily visible ensuring safe load handling.

### Performance

The 790 mm wide chassis makes the T 20 SF ideal for block stacking applications. The Linde twin-grip steering control provides an intuitive interface between operator and truck. With a capacity of 2,000 kg, and a powerful 2 kW drive motor providing a maximum speed of 10 km/h, the Linde T20SF Stand-On Pallet Truck is ideally suited to intensive lorry loading and unloading and rapid pallet transfer applications.

### Comfort

Ease of operation is assured by the ergonomic Linde twin-grip steering control. Electric power steering makes manoeuvring effortless. The operator can choose between forward facing or side-on driving position depending on the requirements of the application. The operator's tasks are made easier thanks to storage compartments and a deep document holder.

### Reliability

Rugged construction and the use of tried and tested components make this a truck that can be relied on.

The forks are formed from heavy gauge steel with cast tips, each of which can withstand a 2,000 kg load without deformation. Smooth fork entry into close pallets is assured by the profiled shape of the fork tips and the entry skid. These features guarantee a longer operating life combined with fast, safe and easy load handling.

### Service

Linde Pallet Trucks are designed to deliver high levels of productivity over many years for lower maintenance costs. The Linde multifunction back-lit display provides the operator with all necessary information about the truck. Features such as swift access to all components and electronics sealed in aluminium housings protecting them from vibration, dust and humidity play their part in increasing truck uptime and availability.

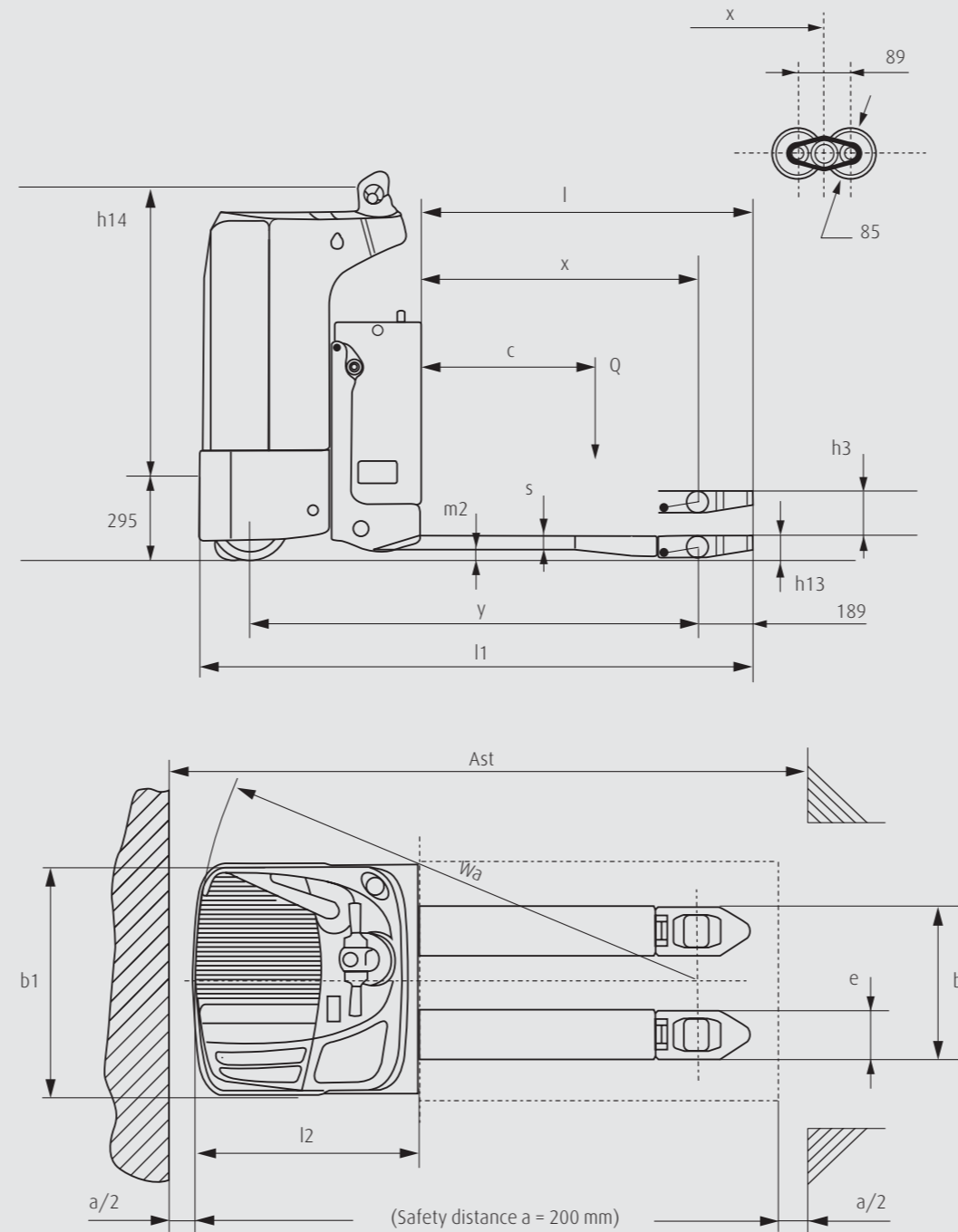
Linde Material Handling

*Linde*

## Technical data (according to VDI 2198)

Characteristics	1.1	Manufacturer	LINDE	
	1.2	Model designation	T 20 SF	
	1.3	Power unit: battery, diesel, petrol, LP gas, mains power	Battery	
	1.4	Operation: manual, pedestrian, stand-on, seated, order picker	Stand-on	
	1.5	Load capacity	Q (kg)	2000
Weights	1.6	Load centre	c (mm)	600
	1.8	Axle centre to fork face	x (mm)	880/960 <sup>1)</sup>
	1.9	Wheelbase	y (mm)	1564
Chassis	2.1	Service weight	kg	860 <sup>2)</sup>
	2.2	Axle load with load, front/rear	kg	1145/1715
	2.3	Axle load without load, front/rear	kg	650/210
	3.1	Tyres, front/rear (SE = Superelastic, P = Polyurethane)		SE + P/P
	3.2	Tyre size, front	mm	ø 250 x 105
	3.3	Tyre size, rear	mm	1 x 85 x 105 (2 x 85 x 80) <sup>3)</sup>
Dimensions	3.4	Auxiliary wheels (dimensions)		2 x 140 x 50
	3.5	Wheels, number front/rear (x = driven)		1x+2/2 (1x + 2/4) <sup>3)</sup>
	3.6	Track width, front	b10 (mm)	490
	3.7	Track width, rear	b11 (mm)	355
	4.4	Lift	h3 (mm)	125
	4.9	Height of tiller arm in operating position, min./max.	h14 (mm)	1020
	4.15	Fork height, lowered	h13 (mm)	85
	4.19	Overall length	l1 (mm)	1925
	4.20	Length to fork face	l2 (mm)	775
	4.21	Overall width	b1/b2 (mm)	790
	4.22	Fork dimensions	s/e/l (mm)	55/165/1150
	4.25	Fork spread	b5 (mm)	520 (680)
	4.32	Ground clearance, centre of wheelbase	m2 (mm)	30
4.33	Aisle width with pallets 1000 x 1200 across forks	Ast (mm)	1975	
4.34	Aisle width with pallets 800 x 1200 along forks	Ast (mm)	2175	
4.35	Turning radius	Wa (mm)	1657/1735 <sup>1)</sup>	
Performance	5.1	Travel speed, with/without load	km/h	8.0/10.0
	5.2	Lifting speed, with/without load	m/s	0.035/0.055
	5.3	Lowering speed, with/without load	m/s	0.064/0.062
	5.7	Climbing ability, with/without load	%	3/14
	5.8	Maximum climbing ability, with/without load	%	12/24
Drive	5.10	Service brake		Electromagnetic
	6.1	Drive motor, 60 minute rating	kW	2.0
	6.2	Lift motor, 15 % rating	kW	1.0
	6.3	Battery according to IEC		254-2; A
	6.4	Battery voltage/rated capacity (5 h)	V/Ah	24/330L
Other	6.5	Battery weight (± 5%)	kg	307
	8.1	Type of drive control		LDC Digital Control
8.4	Mean noise level at driver's ear	dB (A)	68	

- 1) Forks raised/lowered  
 2) Incl. battery acc. to 6.5  
 3) Figures in brackets: optional



# Equipment

## Standard equipment

Multifunction back-lit display: Battery discharge indicator, hour meter, service information and error codes...

Key switch

Electric power steering

Positive steering feedback

Self centering steering (twin grip steering control)

Automatic speed reduction when cornering

Automatic braking

Electromagnetic emergency brake acting proportionally to load weight

Ergonomic operator's compartment with 3 position adjustable platform

DC motor

Cushion drive wheel

Polyurethane castor wheel

Polyurethane single or tandem load wheels

Front battery change (3PzS)

Battery charging cable and plug

Protected -10°C

## Optional equipment

Alternative fork dimensions

Drive wheels: polyurethane, non-marking or wet grip

Load wheels: single/tandem polyurethane greaseable

Load backrest

Equalising linkage (level compensator)

Multi-purpose mounting bracket

A4 clipboard

Front battery change (4PzS)

Side battery change on rollers (3 & 4PzS)

Battery changing legs: static or on castors (for front change)

Battery roller stands: fixed or on castors (for side change)

Additional battery housings for spare batteries

Cold store protection to - 35°C

Other options available on request

# Features

## Linde twin-grip steering control

- Electric power steering and self-centring Linde twin-grip steering control
- Low steering effort provides easy, precise manoeuvring
- Angle of the handlebars indicates drive wheel position
- Automatic speed reduction when cornering



## Operator compartment

- Linde twin-grip steering control: main control functions integrated into a single handle for operation by either or both hands
- Operator can choose between forward facing or side-on operation
- 3 platform height adjustments
- Excellent visibility when handling tall loads

## Chassis & Forks

- Rounded contours, no sharp edges
- Chassis constructed from formed steel pressings results in superior rigidity and durability
- Sturdy forks: each tip can support a 2,000kg load without deformation
- The hinged motor cover provides fast, easy access to internal components and servicing points

## Braking

- Electromagnetic braking on release of dead man pedal with hydraulic braking assistance proportional to the load on the forks
- Emergency circuit isolator: interrupts power to the truck and initiates electromagnetic braking
- Automatic electric braking on release of the traction control



## DC Motor

- Self-ventilating 2.0kW drive motor designed for maximum performance in intensive applications
- Adjustable digital controller: all operating parameters can be customized to suit the application.
- Hill start without rollback
- Maximum travel speed of 10 km/h

## Batteries & chargers

- 24V batteries: capacities from 375 Ah (3PzS) to 500 Ah (4PzS)
- Standard: front battery change (3PzS)
- Option: side change with battery on rollers
- Wide range of battery chargers: wall-mounted units or fast recharge type

## Workstation

- Linde multifunction back-lit display provides all important truck information to guarantee safe, trouble free operation
- Easy access to the internal components
- Storage compartments and deep document holder
- Adjustable platform height

Subject to modification in the interests of engineering progress. Illustrations and technical details non-binding for actual construction. All measurements subject to customary tolerances.

